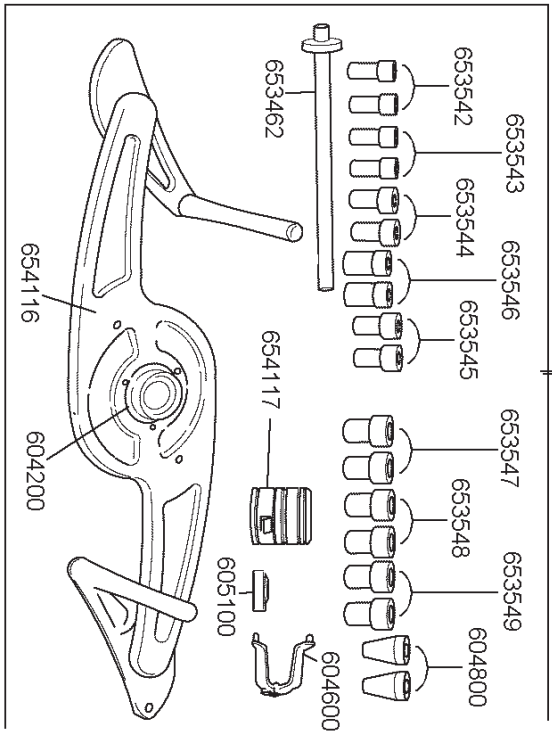
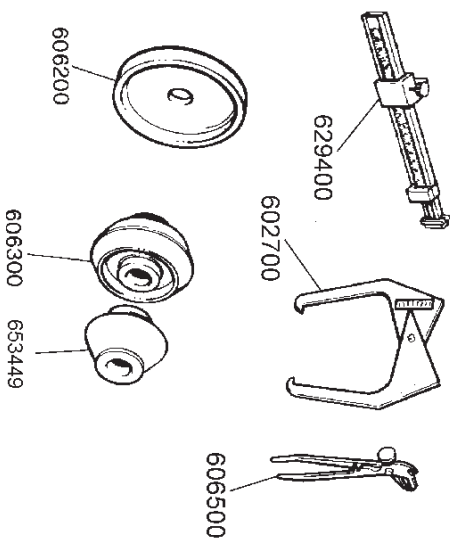
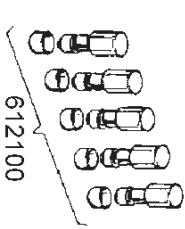


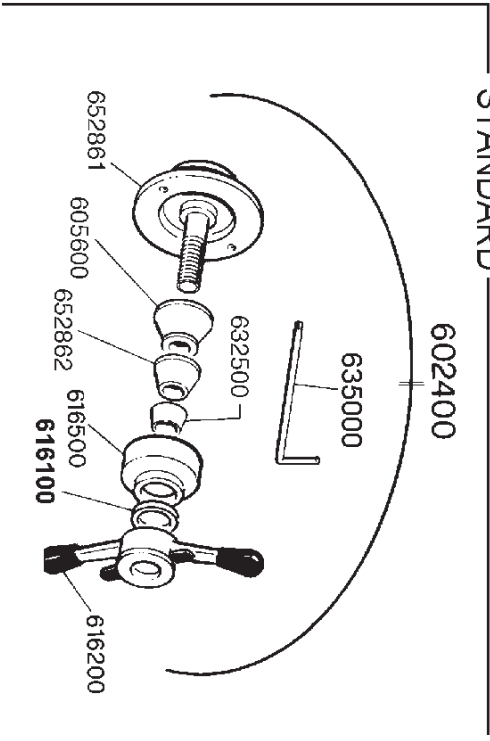
= 654043



654039



STANDARD



SCHEMA ELETTRICO EQUILBRATRICE SBM 55-55s A 115/230V
SBM 55-55s BALANCING MACHINE ELECTRIC DIAGRAM AT 115/230V
DIAGRAMA DE CONEXION BALANCEADORA SBM 55-55s A 115/230V

